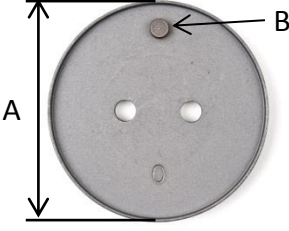
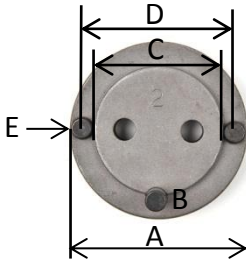
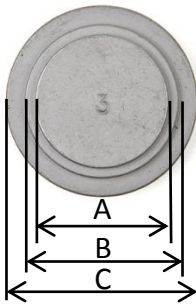
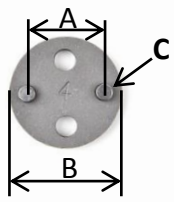
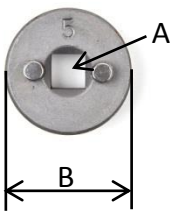
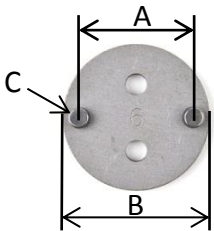
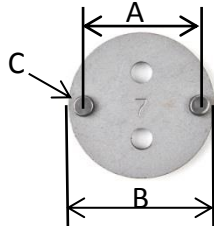
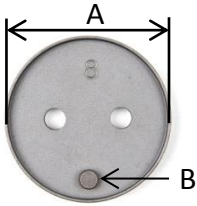
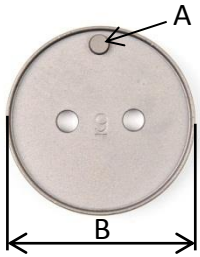
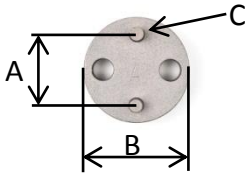
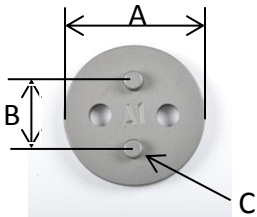
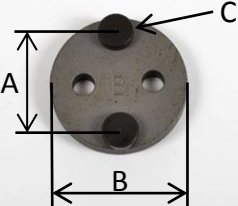
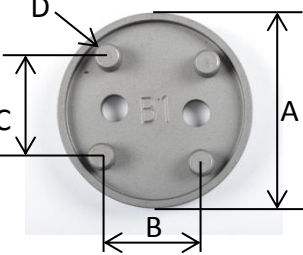
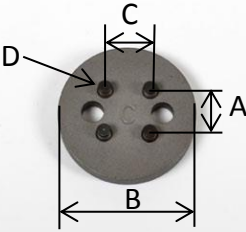
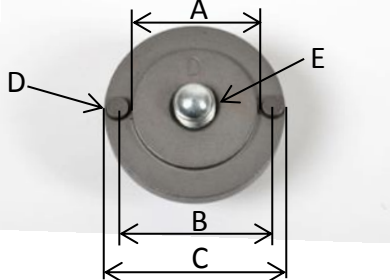
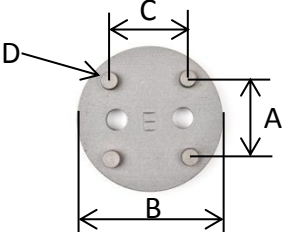
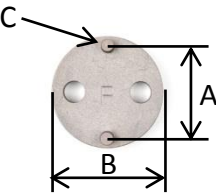


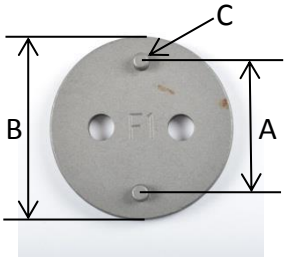
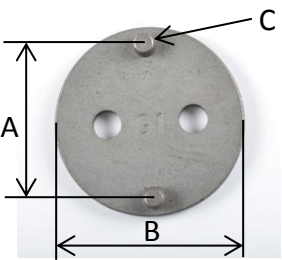
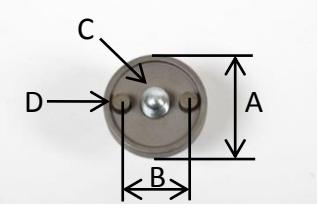
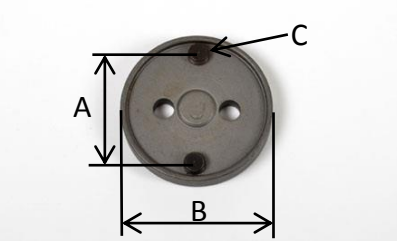
# Adapters for brake caliper tools K 239 and K 244

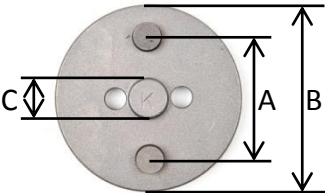
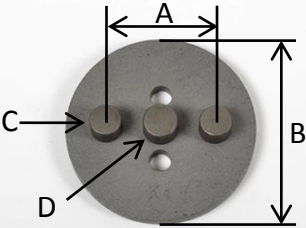
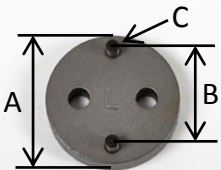
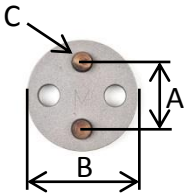
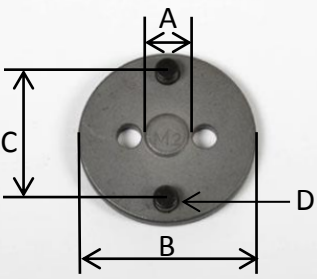
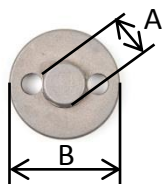
Also for other tools with 2 sets of 6mm pins, C-C 19mm

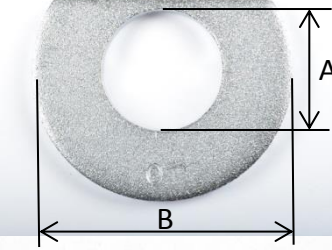
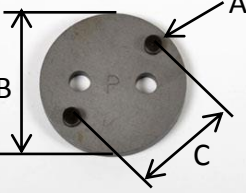
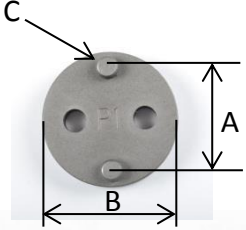
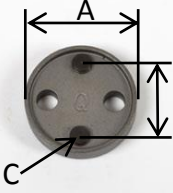
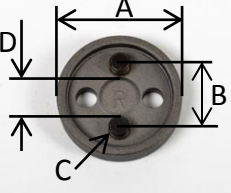
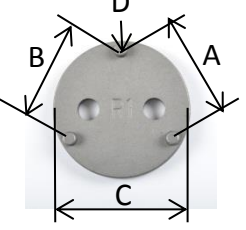
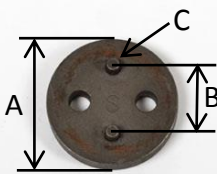
	Dimensions	Article number	Replaces article number	Fits, among others, the following cars
	<p>A = <math>\varnothing</math> 63,5mm B = <math>\varnothing</math> 5,5mm</p>	<p>KR 244 0</p>	<p>KR 239 0</p>	<p>Most GM models with 2 1/2" pistons</p>
	<p>A = <math>\varnothing</math> 51mm B = <math>\varnothing</math> 6mm C = <math>\varnothing</math> 37mm D = 43,5mm E = <math>\varnothing</math> 6mm</p>	<p>KR 244 2</p>	<p>KR 239 2</p>	<p>Citroën Honda</p>
	<p>A = <math>\varnothing</math> 37,5mm B = <math>\varnothing</math> 43,5mm C = <math>\varnothing</math> 55mm</p>	<p>KR 244 3</p>	<p>KR 239 3</p>	<p>Audi FIAT Alfa Romeo Ford Fiesta ISUZU Honda Jaguar BMW Mercedes Benz Mitsubishi Nissan Rover Toyota VOLVO VW</p>
	<p>A = 22mm B = <math>\varnothing</math> 32mm C = <math>\varnothing</math> 5mm</p>	<p>KR 244 4</p>	<p>KR 239 4</p>	<p>Ford Mazda SAAB Toyota FIAT Alfa Romeo Honda GM</p>
	<p>A = 3/8" B = <math>\varnothing</math> 36mm</p>	<p>KR 244 5</p>	<p>KR 239 5</p>	<p>3/8" adapter</p>

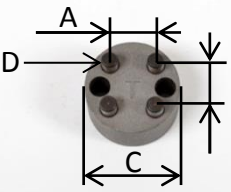
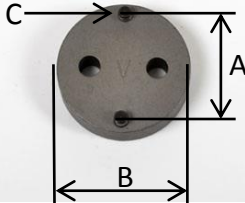
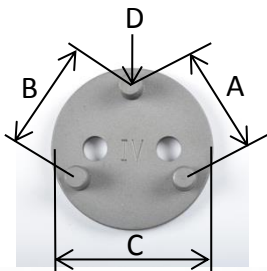
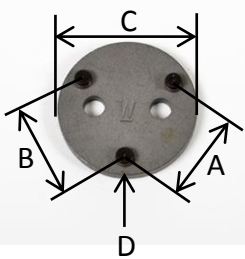
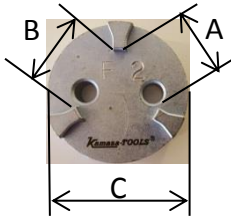
	Dimensions	Article number	Replaces article number	Fits, among others, the following cars
	<p>A = 32,5mm  B = <math>\varnothing</math> 42mm  C = <math>\varnothing</math> 6 x 4,2mm</p>	KR 244 6	KR 239 6	Nissan: Primera VW: Golf IV
	<p>A = 32,5mm  B = <math>\varnothing</math> 42mm  C = <math>\varnothing</math> 6 x 2,5mm</p>	KR 244 7	KR 239 7	Audi Rover Subaru Ford Nissan Peugot Toyota VW Citroën Alfa Romeo FIAT Honda Jaguar Renault SAAB Seat Lancia
	<p>A = <math>\varnothing</math> 48mm  B = <math>\varnothing</math> 5,5mm</p>	KR 244 8	KR 239 8	Most GM models with 1 <sup>7</sup> / <sub>8</sub> " pistons
	<p>A = <math>\varnothing</math> 5,45mm  B = <math>\varnothing</math> 54mm</p>	KR 244 9	KR 239 9	Most GM models with 1 <sup>1</sup> / <sub>8</sub> " pistons
	<p>A = 20mm  B = <math>\varnothing</math> 30mm  C = <math>\varnothing</math> 4mm</p>	KR 244 A		Renault
	<p>A = <math>\varnothing</math> 40mm  B = 19mm  C = <math>\varnothing</math> 5,5mm</p>	KR 244 A1		Ford

	Dimensions	Article number	Replaces article number	Fits, among others, the following cars
	<p>A = 28mm B = <math>\varnothing</math> 38mm C = <math>\varnothing</math> 10mm</p>	KR 244 B		Ford (USA) Lincoln Subaru
	<p>A = <math>\varnothing</math> 45mm B = 22mm C = 22mm D = <math>\varnothing</math> 6mm</p>	KR 244 B1		Ford
	<p>A = 12mm B = <math>\varnothing</math> 38mm C = 12mm D = <math>\varnothing</math> 3,8mm</p>	KR 244 C		Austin Opel Nissan Toyota
	<p>A = <math>\varnothing</math> 34,8mm B = 43mm C = <math>\varnothing</math> 50mm D = <math>\varnothing</math> 6,1mm E = M10</p>	KR 244 D		Renault Citroën
	<p>A = 22mm B = <math>\varnothing</math> 42mm C = 22mm D = <math>\varnothing</math> 5mm</p>	KR 244 E		Nissan
	<p>A = 26mm B = <math>\varnothing</math> 32mm C = <math>\varnothing</math> 3,9mm</p>	KR 244 F		Opel FIAT

	Dimensions	Article number	Replaces article number	Fits, among others, the following cars
	<p>A = 30mm B = <math>\varnothing</math> 44mm C = <math>\varnothing</math> 4mm</p>	KR 244 F1		FIAT
	<p>A = 34mm B = <math>\varnothing</math> 42 C = <math>\varnothing</math> 5mm</p>	KR 244 G1		VW
	<p>A = <math>\varnothing</math> 36mm B = 23mm C = M10 D = <math>\varnothing</math> 6mm</p>	KR 244 H		Peugot
	<p>A = 33mm B = <math>\varnothing</math> 44mm C = <math>\varnothing</math> 6mm</p>	KR 244 J		FIAT Alfa Romeo Audi Citroën Ford Honda Jaguar Lancia Nissan Peugeot Renault Rover SAAB Seat Subaru VW VOLVO

	Dimensions	Article number	Replaces article number	Fits, among others, the following cars
	<p>A = 35mm B = <math>\varnothing</math> 54mm C = <math>\varnothing</math> 11,4mm</p>	KR 244 K		Citroën
	<p>A = 30mm B = <math>\varnothing</math> 54mm C = <math>\varnothing</math> 9mm D = <math>\varnothing</math> 9,8mm</p>	KR 244 K1		Renault Citroën
	<p>A = <math>\varnothing</math> 38mm B = 28mm C = <math>\varnothing</math> 3,9mm</p>	KR 244 L		Audi BMW Ford Lancia Proton Renault Rover VW Citroën
	<p>A = 19mm B = <math>\varnothing</math> 32mm C = <math>\varnothing</math> 5,5mm</p>	KR 244 M		Ford Mini Cooper Nissan
	<p>A = <math>\varnothing</math> 11mm B = <math>\varnothing</math> 45mm C = 34mm D = 6mm</p>	KR 244 M2		Citroën Renault Audi
	<p>A = 12mm B = <math>\varnothing</math> 32mm</p>	KR 244 N		SAAB Honda Alfa Romeo Audi Ford Lancia VW

	Dimensions	Article number	Replaces article number	Fits, among others, the following cars
	<p>A = <math>\varnothing</math> 27mm B = <math>\varnothing</math> 59mm</p>	<p>KR 244 O</p>		
	<p>A = <math>\varnothing</math> 5mm B = <math>\varnothing</math> 42mm C = 31mm</p>	<p>KR 244 P</p>		<p>VW Nissan Opel</p>
	<p>A = 28mm B = <math>\varnothing</math> 37mm C = <math>\varnothing</math> 6mm</p>	<p>KR 244 P1</p>		<p>Peugot</p>
	<p>A = <math>\varnothing</math> 32mm B = 21,5mm C = <math>\varnothing</math> 5,5mm</p>	<p>KR 244 Q</p>		<p>Subaru Alfa Romeo FIAT Ford Honda Rover SAAB</p>
	<p>A = <math>\varnothing</math> 36mm B = 19mm C = <math>\varnothing</math> 6mm D = <math>\varnothing</math> 12mm</p>	<p>KR 244 R</p>		<p>Ford Mazda Mitsubishi Toyota</p>
	<p>A = 29mm B = 29mm C = <math>\varnothing</math> 40mm D = <math>\varnothing</math> 4mm</p>	<p>KR 244 R1</p>		<p>Renault</p>
	<p>A = <math>\varnothing</math> 38mm B = 20mm C = <math>\varnothing</math> 3,9mm</p>	<p>KR 244 S</p>		<p>Audi BMW Lancia Proton Renault Rover VW</p>

	Dimensions	Article number	Replaces article number	Fits, among others, the following cars
	<p>A = 13,5mm  B = 13,5mm  C = <math>\varnothing</math> 28mm  D = <math>\varnothing</math> 4,8mm</p>	KR 244 T		Renault
	<p>A = 31mm  B = <math>\varnothing</math> 38mm  C = <math>\varnothing</math> 3,9mm</p>	KR 244 V		Renault
	<p>A = 27mm  B = 27mm  C = <math>\varnothing</math> 42mm  D = <math>\varnothing</math> 6mm</p>	KR 244 IV		VW Iveco
	<p>A = 26mm  B = 26mm  C = <math>\varnothing</math> 40mm  D = <math>\varnothing</math> 5mm</p>	KR 244 W		VW
	<p>A = 18,7mm  B = 18,7mm  C = <math>\varnothing</math> 40mm</p>	KR 244 F2		Volvo, Ford